



NAME: LED ShoeBox Light

P/N: KSBX-60W-MA-CW

Note: The Letter Y in P/N stands for
AM: ADJUSTABLE FITTER MOUNTING

DM: DIRECT MOUNTING

YM: YOKE MOUNTING

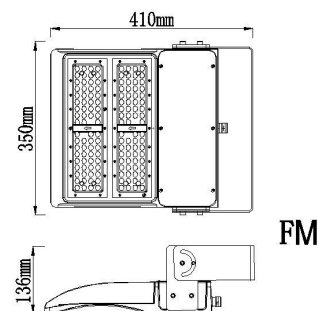
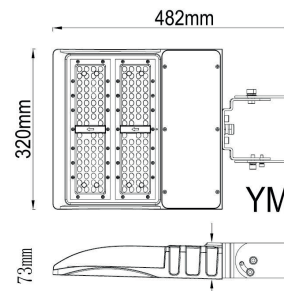
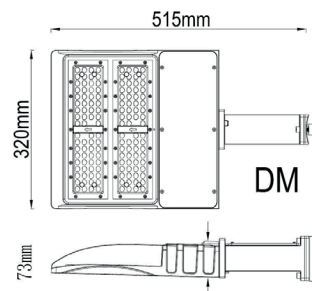
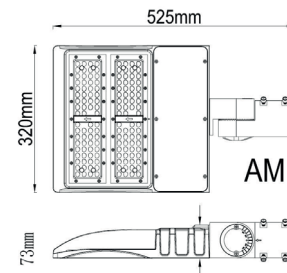
FM: FLOOD MOUNTING

Advantage:

- UL cUL DLC certificate
- Philips Lumileds Chip, high CRI
- IP65 driver, Input voltage 100-277Vac
- 150*85° lens angle
- Optional light-controlled and surge protection function
- No UV or IR in the beam
- Easy to install and operate
- Energy saving, Long lifespan
- Light is soft and uniform, Safe to eyes
- Instant start, NO flickering, NO humming
- Green and eco-friendly without mercury.

Application:

- Outdoor basketball court, tennis court.
- Badminton court, the football field.
- The school playground, stadium.
- Community leisure entertainment plaza, road lamp etc.



Product Specifications

Product name	LED ShoeBox Light
Part No	KSBX-60W-MA-CW
Dimension	KSBX-60W-MA-CW: 525x320x73mm KSBX-60W-FM-CW: 410*350*136mm

Technical Characteristic

Color temperature	4000K	5000K	5700K
CRI	>70		
Lumen	8100-8700LM		
Lumen Efficacy	135-145 LM/W		
Input Power	60W		
Viewing Angle	150*85 Degree (Type III)		
Input Voltage	100-277Vac 50/60Hz		
Driver model	China Brand Driver		
PFC	>0.9		
Waterproof Rating	IP65		

Materials

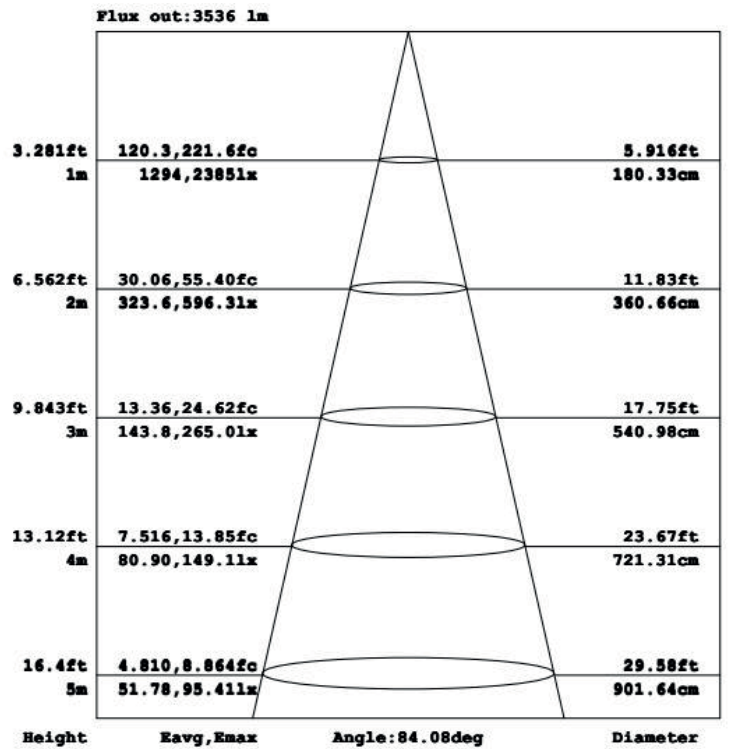
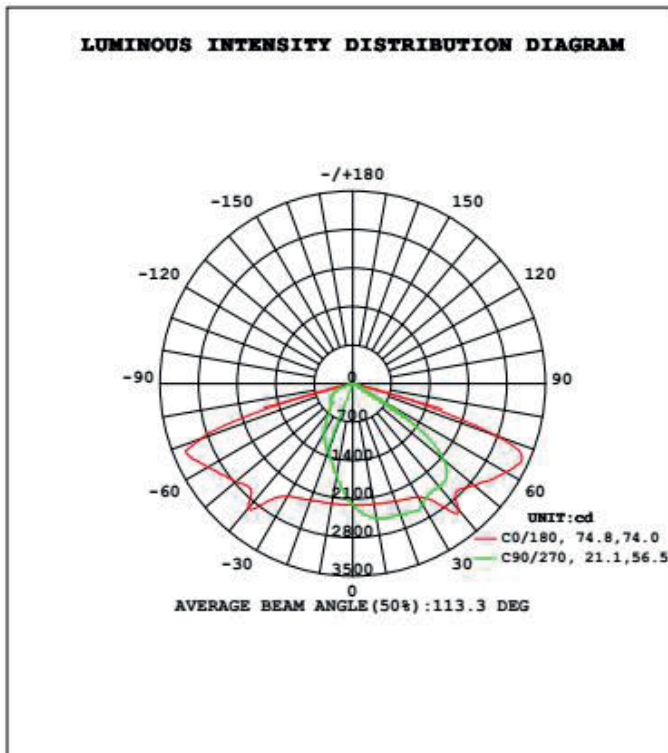
LED Brand	PHILIPS LUMILEDS
LED Type	LUXEON 3030 2D (1.5W)
LED QTY	84 PCS
Housing	Aluminum
Optional Accessory	Photocell Surge protector
Housing color	Black、Brown

Others

Operating Temperature	-20℃ TO 45℃
Operating Humidity	20%-90% RH
Storage Temperature	-30℃ TO 80℃
Storage Humidity	10%-95%
Application	Outdoor / Indoor
Safety Certification	UL、cUL、DLC
Warranty Time	3 Years

Light Distribution Testing Parameters

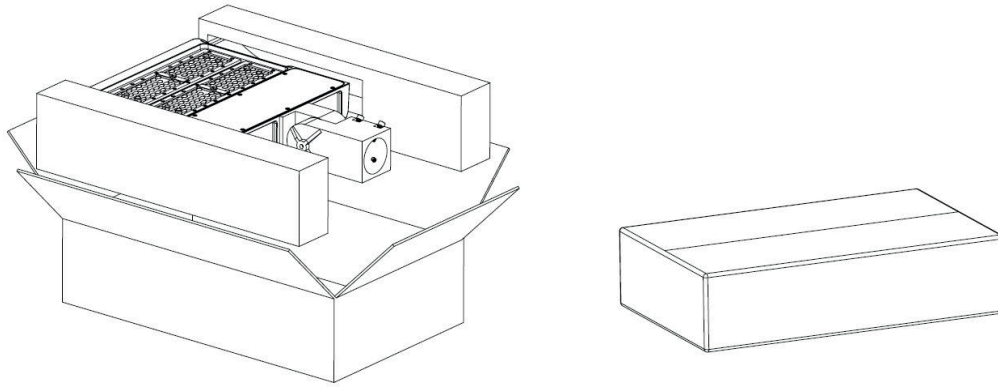
DATA OF LAMP		PHOTOMETRIC DATA Eff: 141.54 lm/W			
MODEL		I _{max} (cd)	3940	S/MH (C0/180)	1.83
NOMINAL POWER (W)	60	LOR (%)	100.0	S/MH (C90/270)	0.72
RATED VOLTAGE (V)	120	TOTAL FLUX (lm)	8474.0	η UP, DN (C0-180)	0.1, 66.8
NOMINAL FLUX (lm)	8474	CIE CLASS	DIRECT	η UP, DN (C180-360)	0.1, 33.1
LAMPS INSIDE	1	η up (%)	0.2	CIBSE SHR NOM	1.50
TEST VOLTAGE (V)	120.0	η down (%)	99.8	CIBSE SHR MAX	1.50



Note: The Curves indicate the illuminated area and the average illumination when the luminaire is at different distance.

Package

	Lamps Net Weight	Size	Qty/ Carton	Weight/ Carton
KSBX-60W-MA-CW:	6.4 KG	570 x 360 x 140mm	1	7.4 KG
KSBX-60W-FM-CW:	6.1KG	385 x 360 x 160mm	1	7 KG



Notice For User

- ◆ Please turn off power before install or change assembly parts.
- ◆ The input voltage and lamps should be matched, after connecting the power line, Please make sure the wiring section is insulated.
- ◆ No-professionals, must not install and disassemble the lamps.

Trouble Shootings

Troubles	Check points
Flickering of the light	Turn off the power and turn on again in 3 minutes. If same phenomena occur, then call agencies
Out of working	Please check the connection