

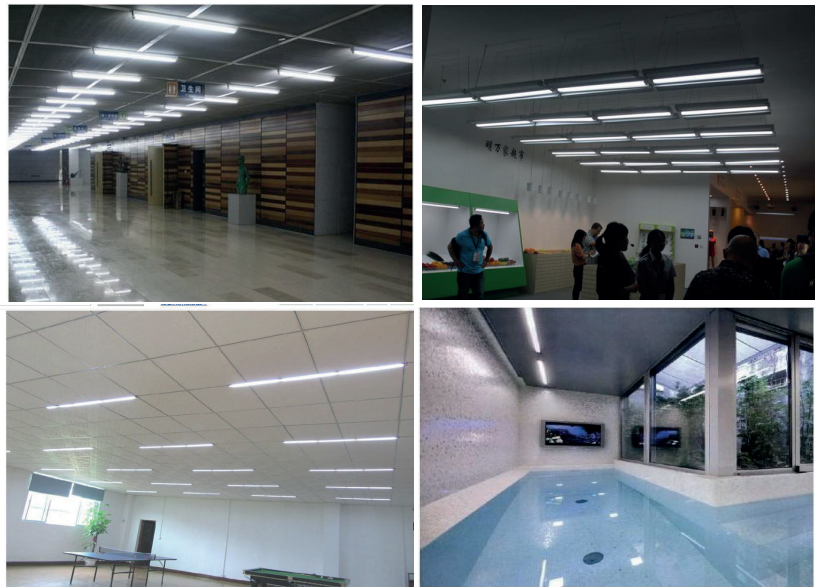
Type	A	B	C
0.4M	431 MM	439 MM	447 MM
0.6M	588 MM	596 MM	604 MM
0.9M	894 MM	902 MM	910 MM
1.2M	1198 MM	1206 MM	1214 MM
1.5M	1498 MM	1506 MM	1514 MM
1.8M	1762 MM	1770 MM	1778 MM
2.4M	2372 MM	2380 MM	2388 MM

**NAME:** LED TUBE LIGHT

**P/N:** KT812-18CL

## Advantage

- CE,ROHS certificate
- G13 lamp base, high CRI
- Warm / Natural / Cool / Cold white
- Internal non-isolated driver, input voltage AC100-277V
- No UV or IR in the beam
- Easy to install and operate
- Energy saving, long service life
- Light is soft and uniform, safe to eyes
- Instant start, NO flickering, NO humming
- Green and eco-friendly without mercury

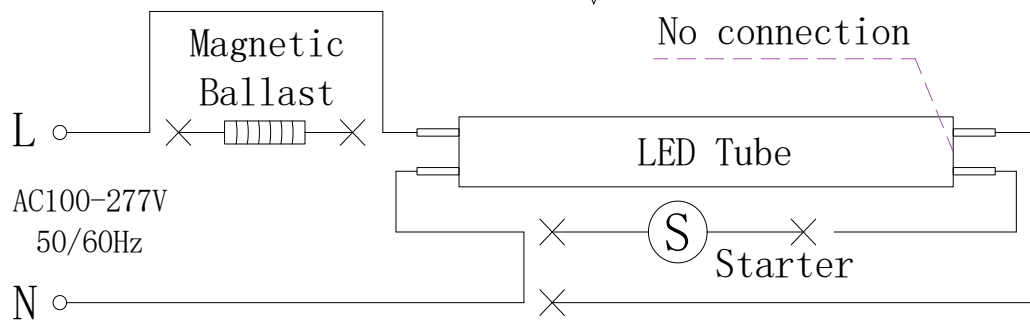
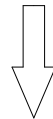
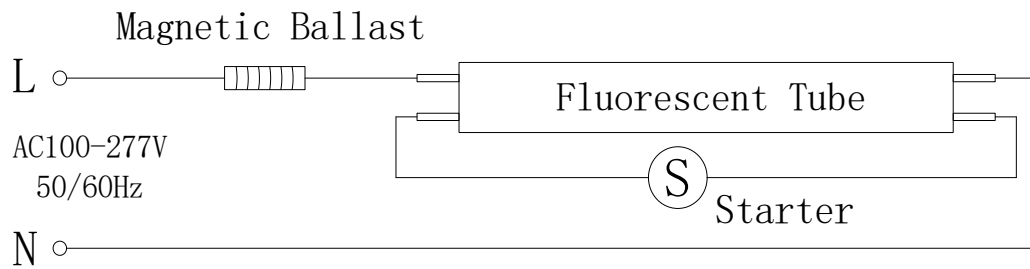


## Application

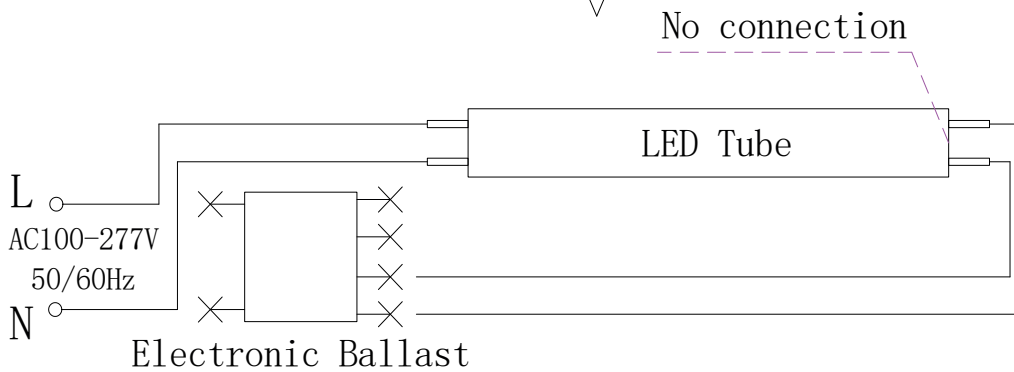
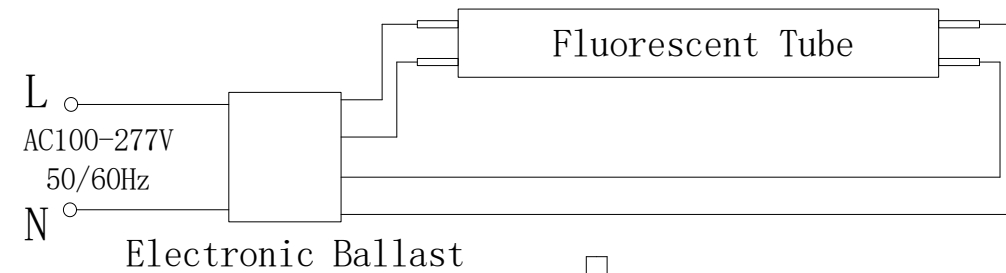
Widely used in supermarket, home, office, hotel, hospital, school, meeting room, library, residential, etc.

PRODUCT SPECIFICATIONS		
Product name	LED TUBE LIGHT	
Light Type	TUBE LIGHT	
Dimension	1214* $\Phi$ 26 MM	
Technical Characteristic		
Cover	Frosted	Clear
Color temperature	2700-7000K	
CRI	> 80	
Lumen	1800-1900 LM	2050-2250 LM
Lumen Efficacy	100-105 LM/W	115-125 LM/W
Input Power	18W	
Viewing Angle	120 Degree	
Input Voltage	AC100-277V 50/60Hz	
PFC	>90%	
Equivalent	120W incandescent / 40W CFL	
Waterproof Rating	IP41	
MATERIALS		
LED Brand	EPISTAR	
LED Type	SMD2835	
LED QTY	120 PCS	
Housing	PC+AL	
Housing color	White	
OTHERS		
Operating Temperature	-20°C TO 50°C	
Operating Humidity	20%-70% RH	
Storage Temperature	-30°C TO 80°C	
Storage Humidity	10%-75% RH	
Application	Indoor	
Warranty Time	3 Years	

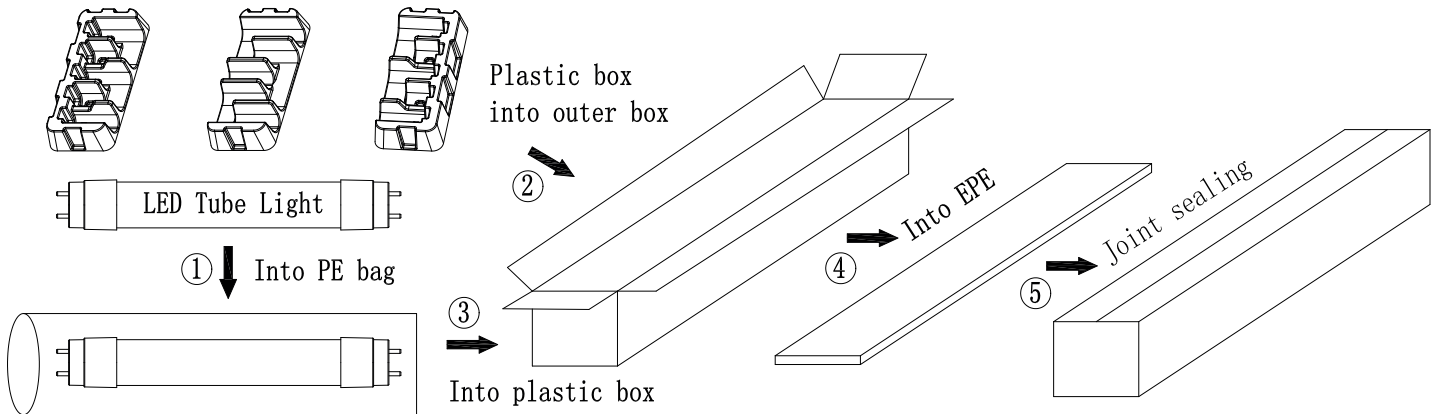
### Single side ( Magnetic ballast ) :



### Single side ( Electronic ballast ) :



## Package



<b>Net Weight: 0.30 KG / PC</b>	
<b>Size of Outer box</b>	1270*240*165 MM
<b>Qty / Carton</b>	25 PCS
<b>Gross Weight / Carton</b>	9.8 KG

## Notice For User

- Please turn off power before install or change assembly parts.
- The input voltage and lamps should be matched, after connecting the power line, please make sure the wiring section is insulated.
- Make sure to remove or bypass the ballast and starter in the fixtures before install the lamps.
- No-professionals, must not install and disassemble the lamps.

## Trouble Shootings

Troubles	Check points
Flickering of the light	Turn off the power and turn on again in 3 minutes. If same phenomena occur, then call agencies
Out of working	Please check the connection